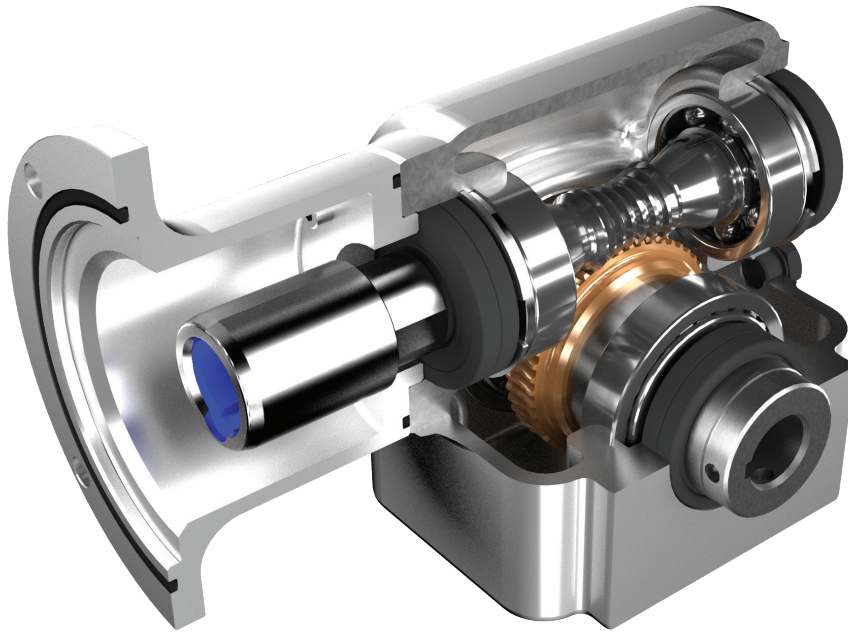


STAINLESS REDUCER



Cone Drive's stainless steel reducers are designed for sterile manufacturing environments. The smooth housings allow for easy cleaning and bacteria free surfaces.



FEATURES

- PROTECTION TYPE IP69K
- LIFE-TIME LUBRICATION WITH FOOD-GRADE OIL
- DOUBLE-ENVELOPING WORM GEARING
- INCH OR METRIC SHAFTS
- DOUBLE SEAL INPUT & OUTPUT SEALS
- ASEPTIC DESIGN
- NON-FRETTING MOTOR CONNECTION

SPECS

CENTER DISTANCES	1.54", 1.75", 1.97", 2.38", 3.00"
NEMA FRAMES	Up to 184TC frame
OUTPUT TORQUE	Up to 6,660 lb-in
GEAR RATIOS	From 5:1 to 60:1, single reduction
OUTPUT OPTIONS	Solid or Hollow Shaft in inch or metric sizes
MATERIAL	316 Stainless Steel